



EasyTouch Glass KEYPAD STATION

user interfaces

KSxxxx-xxxx

Low-voltage keypad station

Modular one- to five-button options

Easily see which scenes are active based on backlit color or intensity

Exclusively designed for TrimLine II Glass trims and faceplates

Mix or match finishes for trims, buttons, and faceplates

Two-step ink application process to the second surface ensures consistent color definition and reflectivity

Hidden ambient light sensor for automatic day/night backlight intensity control

Oversized laser-engraved buttons are available with LED backlighting in any color

product overview

description

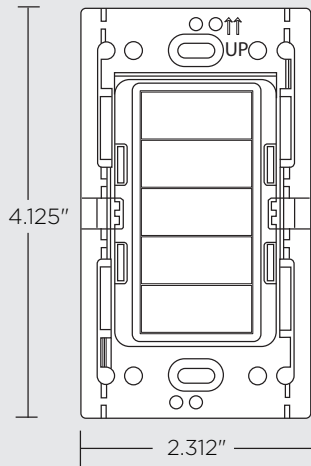
EasyTouch Glass is a modular keypad with contemporary aesthetics and functionality that complements every project design. Available in one through five-button configurations, the EasyTouch Glass modular button, button ring, faceplate, and trim design provides flexibility for designers to mix or match colors. Buttons feature full-range RGB backlighting with a built-in diffuser. The backlight color indicates the status of the programmed button by providing the user with the option to personalize the color for on, off, or other status feedback. And, due to Vantage's use of laser engraving, only the lettering on each button will be illuminated, maintaining the aesthetic appeal of the keypad.

operation

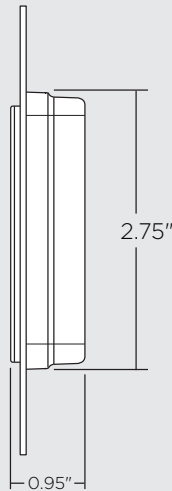
EasyTouch Glass Keypads are designed and programmed through Design Center software (3.9.3 or higher). Installation is very simple, requiring a proprietary 2-wire Vantage Station Bus pigtail connection. The keypad can be mounted into standard 1-4 gang electrical boxes.

EasyTouch Glass is available in wired or wireless wallbox dimmers or Low Voltage stations.

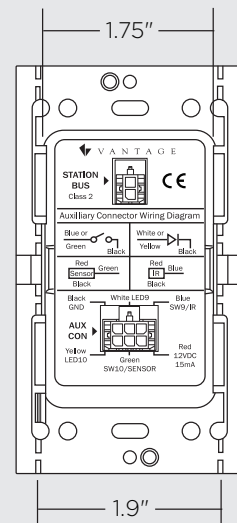
PROJECT	
LOCATION/TYPE	



FRONT VIEW



SIDE VIEW



BACK VIEW

highlights

True type font laser engraved button text pairs with a full range of RGB adjustable backlight, making just the lettering on each button light up day or night. This allows for both personalization of the keypad and a clean, minimalist aesthetic. The inner surface of the button is engraved providing an extremely clean first surface aesthetic.

applications

EasyTouch Glass is ideal for any application. From residential to commercial and small to large projects, EasyTouch II Glass can accomplish whatever automation needs the project design might require. Its minimalist appearance makes it a perfect solution for reduced wall clutter. It can be paired with Equinox touchscreens to fulfill a project's requirements, used alone for smaller projects, or expanded with wireless products that look and act in exactly the same way.

features

- True type font inner surface laser engraved button text
- Full range RGB adjustable backlight for buttons
- Hidden ambient light sensor for automatic day/night backlight intensity control
- Responds instantly to button press regardless of system size
- Accepts multi-event programming on a single button
- Auxiliary connection for motion sensors, wood and metal door contacts, light sensors, etc.
- Uses the standard Vantage two-wire, non-polarized Station Bus
- Compatible with 24-volt or 36-volt Station Bus
- Exclusively designed around TrimLine II Glass faceplates and trims
- Built-in surge suppression
- Glass faceplates have second surface ink in five standard colors: White, Light Almond, Black, Nickel, and Dark Bronze
- Communication and power via Station

specifications

Dimensions (HWD)

4.125" x 2.30" x 0.9"
105mm x 58mm x 23mm

General Specifications

Models	KSxxxx-xxxx
Weight	1.8 oz (51g)
Ability to gang with conventional switches	Yes (see NEC code book for proper installation of Class 2 and line voltage connections)
Addressing	Self-addressing through software
IR receiver	Yes, Built-in/standard
Ambient light sensor	Yes, Built-in/standard
Ambient operating temperature	32-95°F (0-35°C)
Ambient operating humidity	5-95% non-condensing
Button LED	RGB, full color
Button configurations	1 - 5 Buttons
Color options	Arctic White (AW), Vantage Ivory (VI), Black (BK), Original Bronze (OB) and Titanium (TI)
Maximum number of gangs	Up to 4 gangs
Sound	Yes (variable pitch)
Status LED	Microprocessor status LED blink pattern
Surge suppression	Yes
UL, CUL, and CE listed	Yes

Wiring Specifications

Auxiliary connections	2
Outdoor use (1 or 2 Gangs Only)	With approved weatherproof cover (Part# WPC-1 or WPC-2)
Power for external devices	15mA @ 12V DC
Auxiliary wiring connection	2 wire 600V pigtail (included)
Station Bus connection	2 conductor, 16 AWG stranded, non-shield, <30 pF/foot - Station Bus should be separated a minimum of 12" from other parallel communication and/or high-voltage runs
Station wiring configuration	Daisychain/star/branch
Station Equivalent 24V	3 buttons count as 0.6 Watts, 5 buttons count as 0.72 Watts
Station Equivalent 36V	3 buttons count as 0.9 Watts, 5 buttons count as 1.08 Watts

System Compatibility

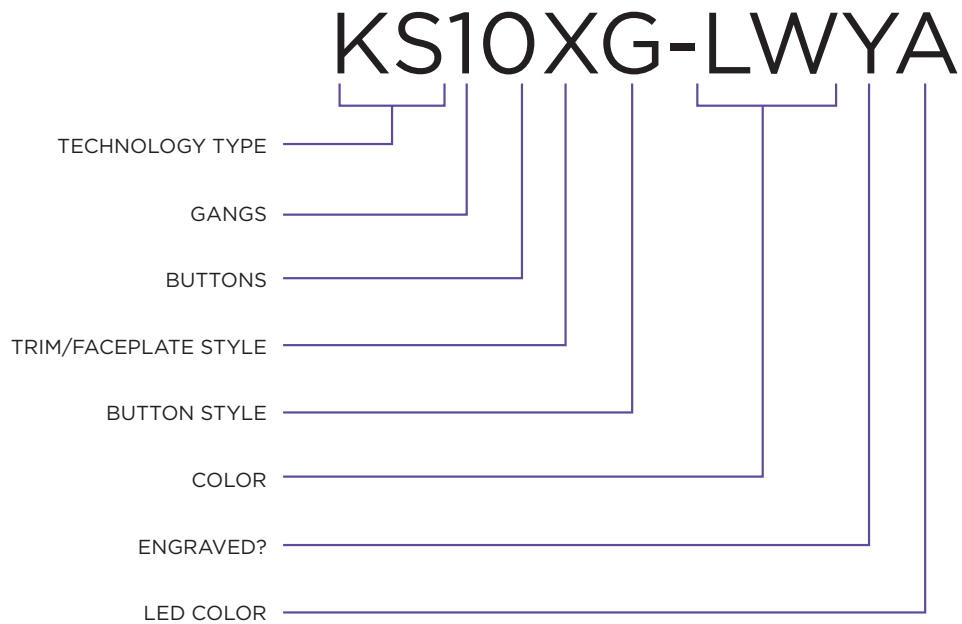
InFusion

ordering

Ordering Information

CATALOG NO.	DESCRIPTION	VOLTAGE	MISC.
<input type="radio"/> KSxxx-xxxx	Keypad Station EasyTouch II	24V	Up to 50 stations per bus
<input type="radio"/> VDA-0015-L	Auxiliary pigtail cable assemblies (25 to a bag)		
<input type="radio"/> VDA-0040-L	Station pigtail cable assemblies (25 to a bag)		

Ordering Key for EasyTouch Glass



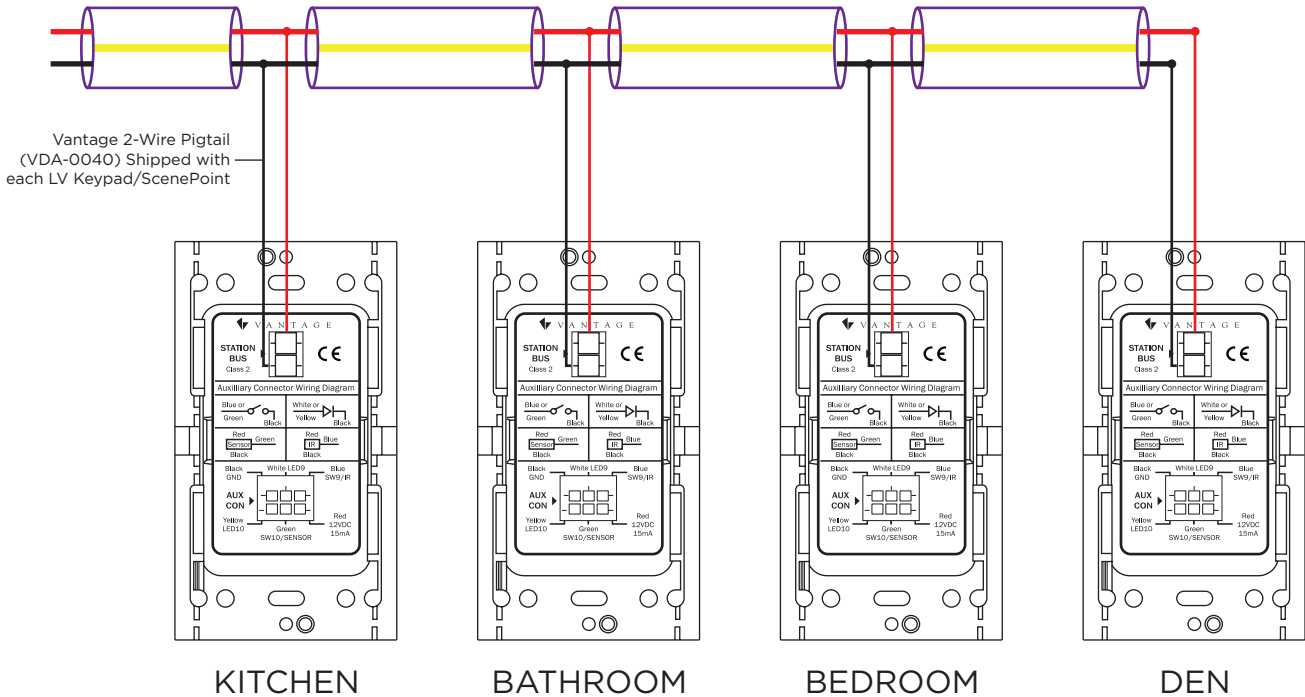
TECHNOLOGY TYPE	GANGS	BUTTON CONFIGURATION	TRIM/FACEPLATE STYLE	BUTTON STYLE	BUTTON and FACEPLATE COLOR	ENGRAVED?	LED STATUS COLOR
<input type="radio"/> KS = Keypad Station	1 = Single Gang	1 = 1 Button	T = TrimLine	G = Glass	LW = Legrand White	Y = Yes	A = Tri-Color "ALL"
<input type="radio"/> DS = WireLink Dimmer	2 = 2 Gang	2 = 2 Button	X = No trim		BK = Black	N = No	
<input type="radio"/> RD = RadioLink Dimmer	3 = 3 Gang	3 = 3 Button			LA = Light Almond		
<input type="radio"/> SR = WireLink Relay	4 = 4 Gang	4 = 4 Button			NI = Nickel		
<input type="radio"/> RR = RadioLink Relay	5 = 5 Button				DB = Dark Bronze		
<input type="radio"/> SDR = WireLink Dual Relay							
<input type="radio"/> RDR = RadioLink Dual Relay							
<input type="radio"/> RDU = RadioLink Dimmer Universal							
<input type="radio"/> DSU = Dimmer Station Universal							

* Ordering matrix and button sets are two SKUs

[ORDER HERE >](#)

station bus wiring with low-voltage keypads

STATION BUS RUN 1
(Back to Main Terminal board “Station Bus 1”)



- SPEC: 2C, 16AWG/1.31mm 2 twisted, non-shielded, <30pF per foot. Separate a minimum of 12"/30.5cm from other parallel communication and/or height voltage runs.
- Max Length: No station more than 1,000ft/305m from Controller.
- 36V: Each Station Bus run has a 60W power supply. Up to 60 stations each bus or until the 60W supply has been used.
- 24V: 35W max power supply to BOTH Station Bus runs. Up to 50 stations each bus or until the shared 35W supply is used.
- Wire Configuration for Station Bus: Daisy chain, branch, star.
- All Station Bus runs terminating at keypad should be connected red-red and black-black. The keypad is non-polarized so Station Bus pigtail leads can be connected either way.

Glass Keypad Station



EasyTouch Glass Keypad Station

EasyTouch Glass Button Style - Configurations



EasyTouch Glass 1 Button



EasyTouch Glass 2 Button



EasyTouch Glass 3 Button

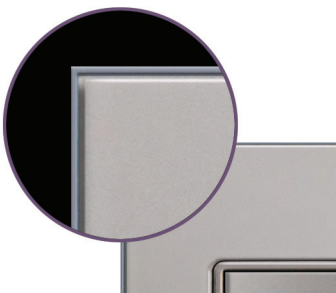


EasyTouch Glass 4 Button



EasyTouch II 5 Button

Glass Faceplate Styles



TrimLine Glass Faceplate

standard finish options

custom finish options (extended lead time)



Glass Faceplates



Metal Faceplates



Plastic Faceplates



Plastic Faceplates



Trims



Glass Buttons



Custom Ink



Dark Bronze, Light Almond, Black Painted | Anodized, Chrome Polished | Satin, Brass Polished | Satin, Clear Anodized, Custom Paint



Brown, Custom Paint



Brown, Vantage Almond, Black, Custom Paint



Dark Bronze, Brown, Light Almond, Black Anodized, Nickel, Brass, Custom Paint



Custom Ink