

Description

The IP scenario module is a device of the Hotel range for the management of the room and the common areas.

One MH201 must be used for each room or common area.

It's main functions are:

- Key card management:

- 1) **room access management (key cards saved).** Using the supervision software, it is possible to manage the saving of the key cards (if the external reader is present) used for opening the door with two different profiles (Users or Service). For each key card saved, it is possible to associate a validity end date, 3 access time profiles, and a maximum number of accesses.

- Management of the room functions:

- 1) **MAKE UP ROOM.** If inside the room MUR is pressed on the appropriate control (LN4653-H4653-0 675 93), the IP scenario module updates the notification to all the display units (LN4651-H4651-0 675 91), also notifying the event occurred to the supervision software.
- 2) **DO NOT DISTURB.** If inside the room MUR is pressed on the appropriate control (LN4653-H4653-0 675 93), the IP scenario module updates the notification to all the display units (LN4651-H4651-0 675 91), also notifying the event occurred to the supervision software.
- 3) **Room alarms.** If an alarm is activated (e.g. bathroom pull cord), the device notifies the supervision software, from where it will then be reset.
- 4) **Refrigerator door open.** If the refrigerator door is left open while nobody is in the room, the device notifies the supervision software, which will display the relevant notification at the reception desk.
- 5) **Safe opening.** When the safe is opened while nobody is in the room, the device notifies the supervision software, which can then be used to reset the notification.
- 6) **Remote thermostat contact.**
- 7) **Presence management.** The presence of someone in the room is notified by the key card switch (LN4849-H4648-0 675 66-05 727 36-05 722 36); the IP scenario module sees the notification and forwards it to all the notifying units (LN4651-H4651-0 675 91), and to the supervision software.

- Gateway for the configuration of the devices installed inside the room. The IP scenario module performs the gateway function to enable the configuration of the devices installed inside the room using the MyHOME_Suite.

- Communication with the supervision software.

- Scenario management. The device can manage up to 50 scenarios as follows:

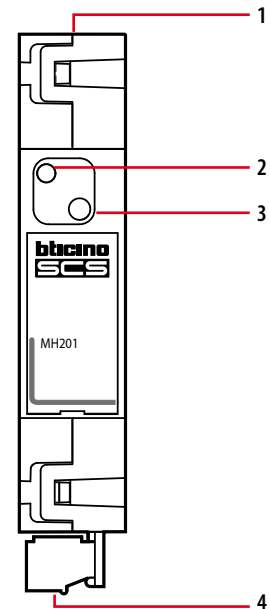
- a) 5 start triggers.
- b) 1 stop trigger.
- c) 1 condition.
- d) 10 executions.

The scenarios are saved using the MyHOME_Suite software IP.

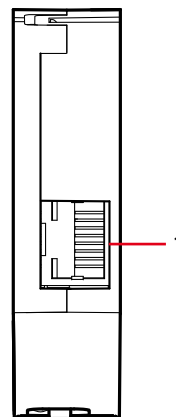
- Management of lights as memory module. The device follows the status of the actuators, and if no network is detected, the status is reset.

- It saves the events occurred inside the room in a log that can be downloaded using the supervision software.

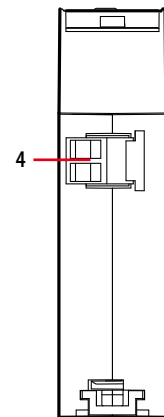
Front view



Top view



Bottom view



Legend

1. Ethernet data network RJ45 connector
2. LED: red/green bi-colour LED
Notification: flashing red, 1 sec. ON / 1 sec. OFF, searching for Ethernet network
flashing green, 1 sec. ON / 1 sec. OFF, Ethernet network found
3. Pushbutton:
 - extended pressure for 3 seconds: the acquisition of the actuators installed starts (memory module); this must always be complete on first installation;
 - extended pressure for 10 seconds at start up: setup of fixed IP 192:168:1:5 Mask 255:255:255:0
4. Clamps for connection to the SCS BUS

Technical data

| | |
|------------------------|-----------------|
| Power supply: | 18 – 27 Vdc |
| Absorption: | 30 mA |
| Operating temperature: | (-5) – (+40) °C |

Standards, Certifications, Marks

EN 60669-2-1
EN 50090-2-2
EN 50090-2-3
EN 50428

Dimensional data

Size: 1 DIN module

Configuration

The configuration of the scenarios can be completed using the "MyHOME_Suite" software.

It is possible to save up to 50 scenarios.

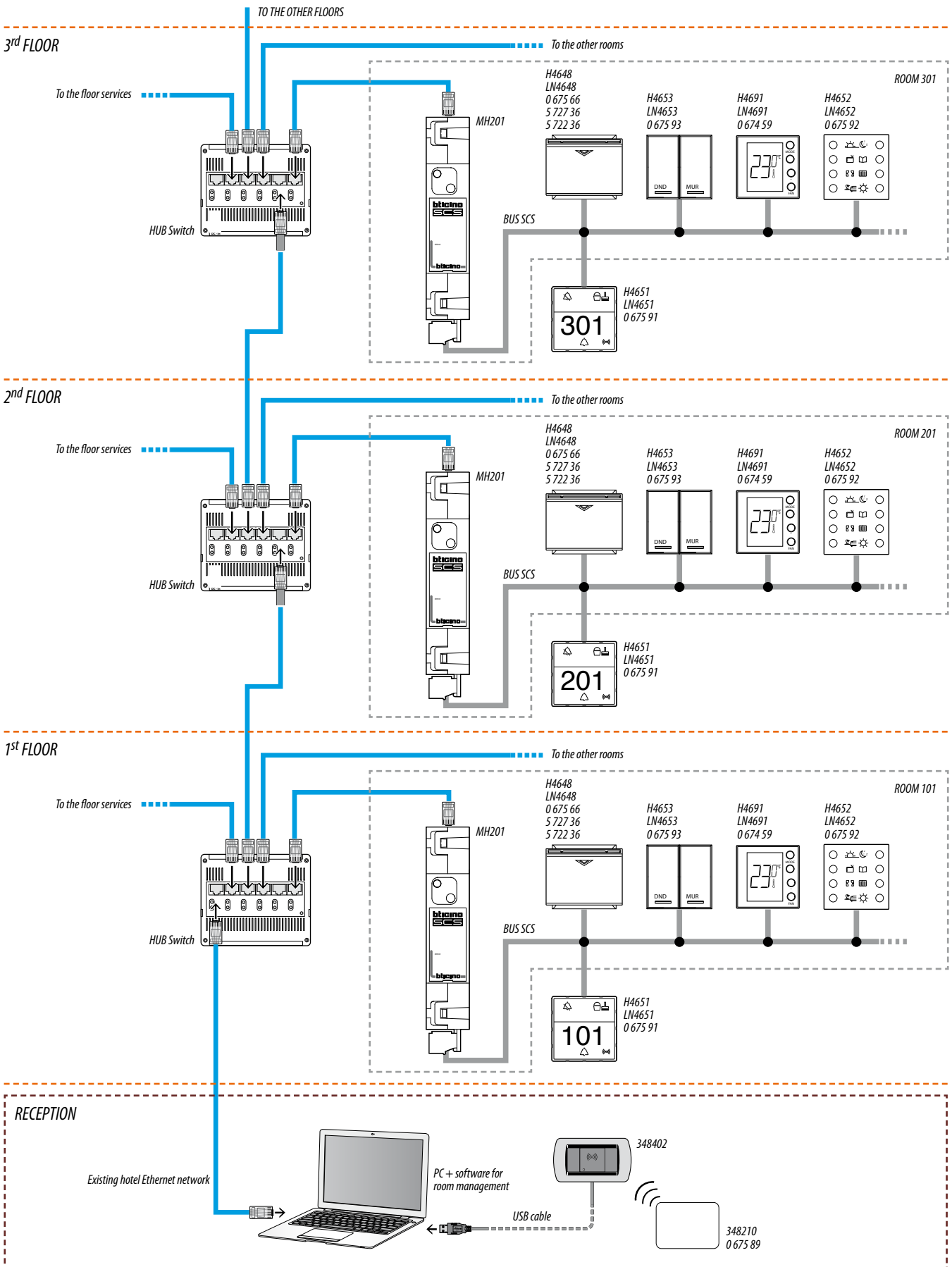
Always using the software, it is possible to change the basic settings of the device:

- Name: max. 16 characters
- Open Password: default 12345 (max 9 characters)

Putting into operation

- The first time it is switched on, press the pushbutton to start the acquisition by the module of the devices installed in the room.
- The extended pressure (over 10 seconds) of the pushbutton is used to configure the fixed IP address:
IP 192.168.1.5
Subnet Mask: 255.255.255.0

Typical connection diagram with max 100 rooms or common areas



Wiring diagrams

Principle and configuration diagram for a hotel room

